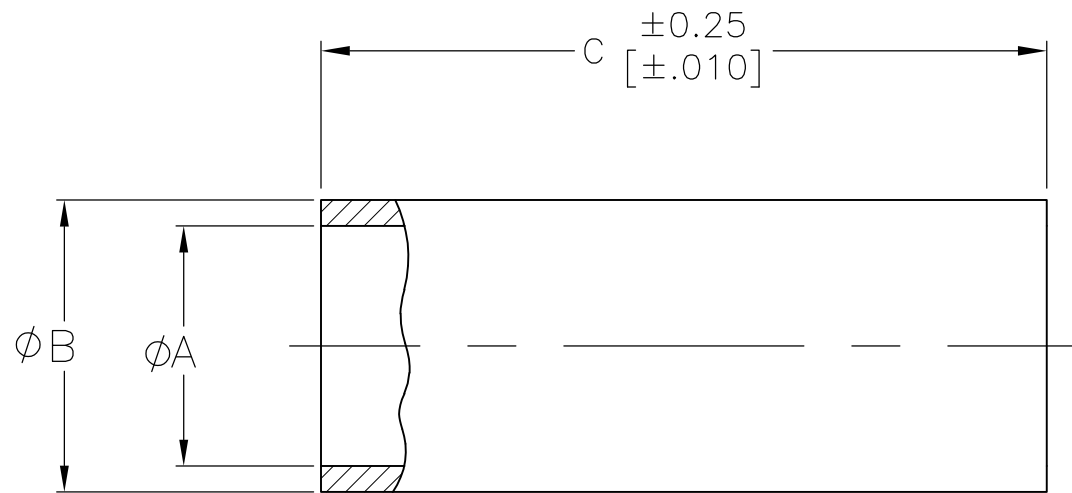


THIS DRAWING IS UNPUBLISHED. RELEASED FOR PUBLICATION
 © COPYRIGHT BY TYCO ELECTRONICS CORPORATION. ALL RIGHTS RESERVED.

LOC AJ	DIST 16	REVISIONS			
P	LTR	DESCRIPTION	DATE	DWN	APVD
	G	REVISED PER ECO-10-008433	22MAY10	HMR	KW



9.60 [.380]	4.55 [.179]	3.51 [.138]	△6	9-413889-1
9.60 [.380]	3.86 [.152]	3.20 [.126]	△6	9-413889-0
9.60 [.380]	4.55 [.179]	3.51 [.138]	△4	3-413889-4
7.87 [.310]	3.15 [.124]	2.49 [.098]	△4	3-413889-3
7.87 [.310]	4.55 [.179]	3.20 [.138]	△4	3-413889-2
7.87 [.310]	3.86 [.152]	3.20 [.126]	△4	3-413889-1
7.87 [.310]	3.15 [.124]	2.49 [.098]	△3	3-413889-0
7.87 [.310]	4.55 [.179]	3.51 [.138]	△3	2-413889-7
7.87 [.310]	3.86 [.152]	3.20 [.126]	△3	2-413889-4
9.60 [.380]	3.86 [.152]	3.20 [.126]	△5	2-413889-1
9.60 [.380]	3.86 [.152]	2.67 [.105]	△4	2-413889-0
9.60 [.380]	3.15 [.124]	2.49 [.098]	△4	1-413889-9
9.60 [.380]	4.55 [.179]	3.51 [.138]	△4	1-413889-8
9.60 [.380]	3.86 [.152]	3.20 [.126]	△4	1-413889-7
9.60 [.380]	3.86 [.152]	2.67 [.105]	△3	1-413889-6
9.60 [.380]	3.15 [.124]	2.49 [.098]	△3	1-413889-5
9.60 [.380]	4.55 [.179]	3.51 [.138]	△3	1-413889-4
9.60 [.380]	3.86 [.152]	3.20 [.126]	△3	1-413889-3
9.60 [.380]	3.86 [.152]	2.67 [.105]	△2	1-413889-2
9.60 [.380]	3.15 [.124]	2.49 [.098]	△2	413889-9
9.60 [.380]	4.55 [.179]	3.51 [.138]	△2	413889-6
9.60 [.380]	3.86 [.152]	3.20 [.126]	△2	413889-3

C	B	A	FINISH	PART NUMBER
---	---	---	--------	-------------

- △1 COPPER ALLOY
- △2 BRIGHT TIN-LEAD PLATE PER ASTM B 545 WITH SUPPLEMENTAL ANTI-FRETTING LUBRICANT.
- △3 NICKEL PLATE.
- △4 GOLD PLATE
- △5 BLACK NICKEL PLATE.
- △6 TIN PLATE PER ASTM B 545 WITH SUPPLEMENTAL ANTI-FRETTING LUBRICANT.

OBSOLETE

THIS DRAWING IS A CONTROLLED DOCUMENT.		DWN M. O'BRINE 29OCT99	Tyco Electronics Corporation Harrisburg, Pa 17105-3608	
DIMENSIONS: mm [INCHES]		CHK B. MOYER 29OCT99	NAME	
TOLERANCES UNLESS OTHERWISE SPECIFIED:		APVD B. MOYER 29OCT99	PRODUCT SPEC	
0 PLC ± -		APPLICATION SPEC		
1 PLC ± -		SIZE		
2 PLC ± 0.05 [.002]		CAGE CODE		
3 PLC ± -		DRAWING NO		
4 PLC ± -		RESTRICTED TO		
ANGLES ± -		A3 00779 C-413889		
MATERIAL △1		FINISH SEE TABLE		
CUSTOMER DRAWING		SCALE 10:1 SHEET 1 OF 1 REV G		